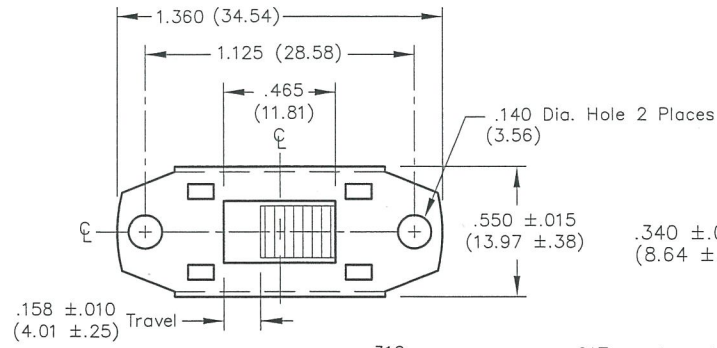


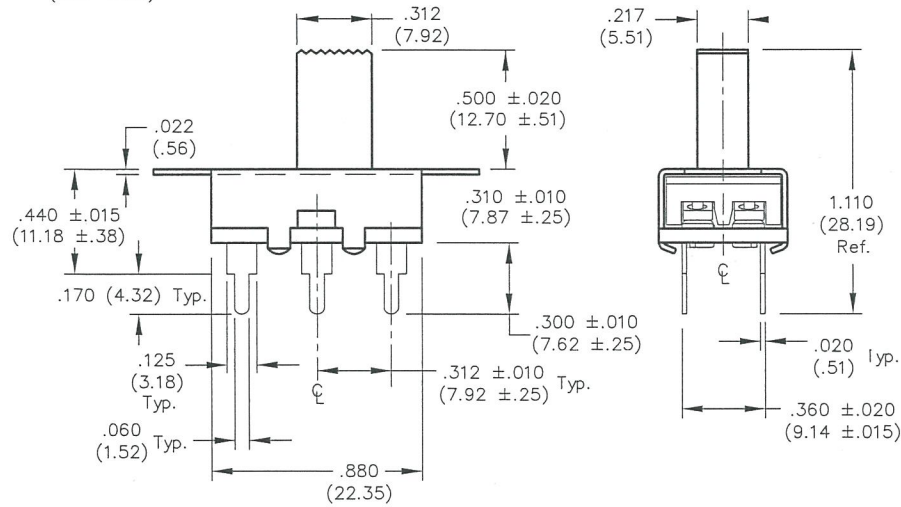
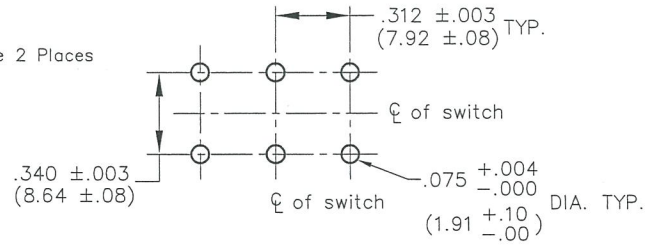
THIS INFORMATION IS CONFIDENTIAL AND PROPRIETARY TO CW INDUSTRIES INCORPORATED AND ITS AFFILIATES. IT MAY NOT BE DISCLOSED TO ANYONE OTHER THAN CW INDUSTRIES PERSONNEL, WITHOUT WRITTEN AUTHORIZATION FROM CW INDUSTRIES INCORPORATED, SOUTHAMPTON, PENNSYLVANIA USA.

DIMENSIONS IN INCHES (MILLIMETERS)  
DO NOT SCALE DRAWING .....

Dwg. No.  
**GF-326-0093**



**P.C. LAYOUT**



1      2      3      4      5      6      7      8      9      10

B-FORMAT 2002	<b>REVISIONS</b>	0
	RELEASED:	1-27-2016
	DGW	JAN 28 2016

PDF MADE	<b>CW INDUSTRIES</b> Southampton, Pa. 18966	
	TOLERANCES UNLESS OTHERWISE SPECIFIED	
	2 Place Decimal ±.010	METRIC
	3 Place Decimal ±.005	1 Place Dec. ±.25mm
	Angles ..... ±1'	2 Place Dec. ±.13mm
Made for:	CW IND.	
Drawn by:	DGW 1-27-2016	
Checked by:	G. GOLD 1-27-16	
Approval:	G. GOLD 1-27-16	

Title:	SLIDE SWITCH ASSEMBLY D.P. - D.T.
Division:	SWITCH
Dwg. No.	GF-326-0093

MASTER